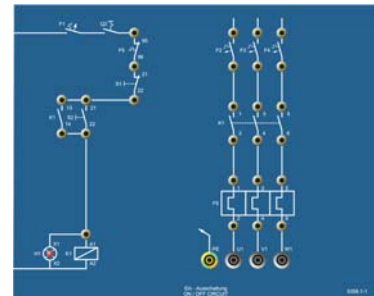


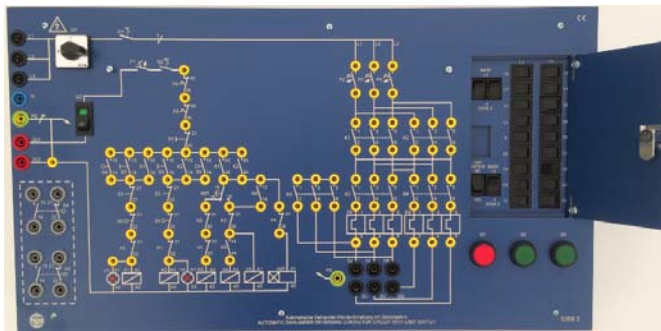
HPS Contactor Circuit Boards

bestaande uit de navolgende oefenpanelen en componenten:

- 5358 - Power Supply Board
- 5358.1 - Reversing Contactor Circuit + limit switch
- 5358.2 - Automatic Star-Delta Circuit
- 5358.3 - Automatic Dahlander Reversing Contactor Circuit + limit switch
- 5359 - Motor Board met gear ratio
- 5358.9 - Set Veiligheidssnoeren
- 5358.8 - Oefenboek (Engels- of Duitstalig) V0190



5358.1 ON/OFF Circuit



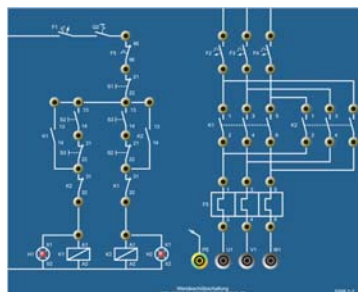
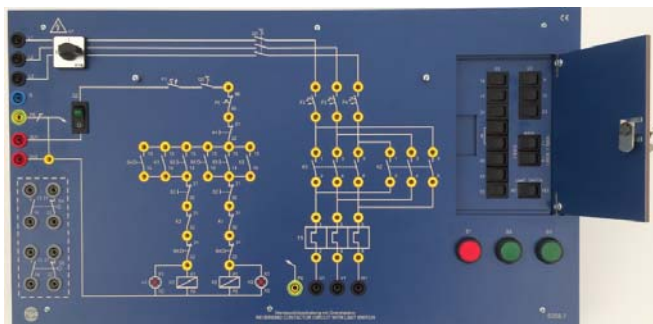
- Switch panel for faulty switches
- To set different faults and masks for the experiments
- Stop and direction button



Hexagon socket screw key

5358.3 Automatic Dahlander Reversing Contactor Circuit with limit switch

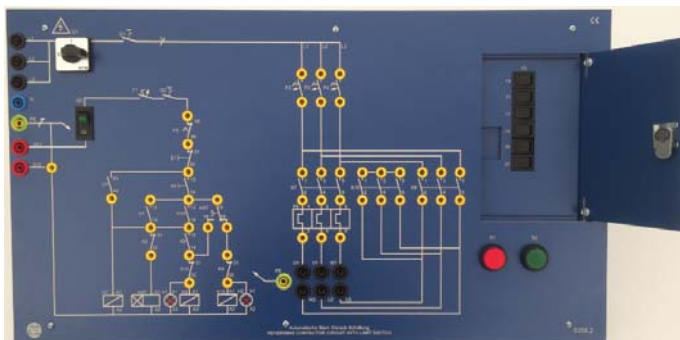
- Power input from 5358, L1,L2,L3,N and PE
- Power switch, for Motorvoltage
- Switch for control voltage of contactors
- Limit switch inputs (grey)
- Switch for control voltage of contactors
- Measurement jacks (yellow)
- Motor connection 1U, 1V, 1W and 2U, 2V, 2W and PE



5358.1-2 Reversing Contactor Circuit

5358.1 Reversing Contactor Circuit with limit switch

- Power input from 5358, L1,L2,L3,N and PE
- Power switch, for motorvoltage
- Switch for control voltage of contactors
- limit switch inputs (grey)
- measurement jacks (yellow)
- Motor connection U1,V1,W1 and PE



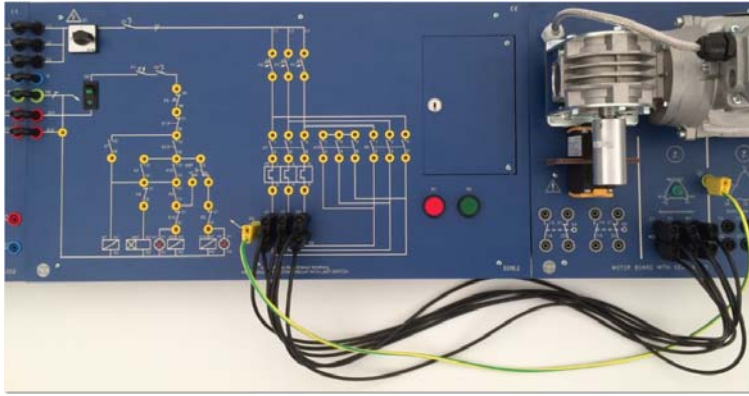
5358.2 Automatic Star-Delta Circuit

- Power input from 5358, L1,L2,L3,N and PE
- Power switch, for Motorvoltage
- Switch for control voltage of contactors
- measurement jacks (yellow)
- Motor connection U1,V1, W1 and U2,V2,W2 and PE

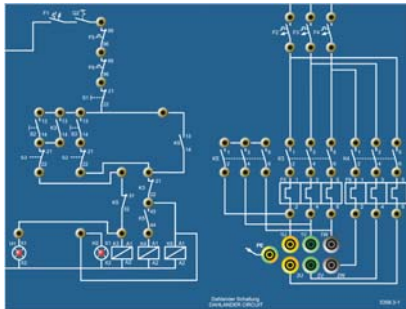
- Switch panel for faulty switches
- To set different faults and masks for the experiments
- Stop and start button

Happé & van Rijn BV
 Egelantiersgracht 213-215
 1015 RJ Amsterdam
 T: +31 (0)20-6254769
 F: +31 (0)20-6249033
 M: +31 (0)6-53957531
 www.happevanrijn.com
 info@happevanrijn.com





5358.2 Automatic Star-Delta Circuit
Systeem-overzicht



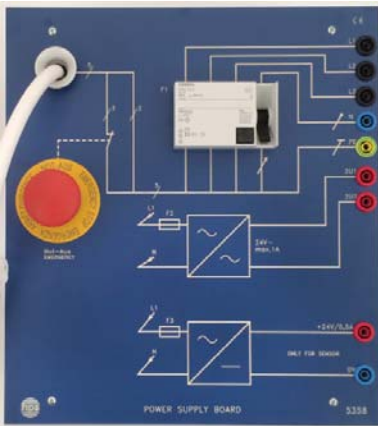
5358.3-2 Automatic Dahlander Circuit

- Faulty switches : all left position
- Mask-1/2 switch : 2x above pos.
- Limit switch : above pos (NO)
- Mask-1/2 switch : below
- Cylinder position outside (standard delivered)



5359 Motor Board + gear ratio

- Motor with gear, 4/8-pole 0,09/0,04 kW, 380 to 400 V
- Inputs for Asynchronmotor, LED for Star-Delta
- Inputs for Dahlander Motor, two speeds inputs for Star-Delta
- 8 grey jacks for limit switch output
- 6 black jacks for Asynchronmotor
- 6 black jacks for Dahlander Motor
- Outputs for limit switch



5358 Power Supply Board

- Input : 3-phase AC Source 380V-415V, 50/60Hz
- Red button push/pull Emergency Switch
- Cekoon plug (big size)
- Main fuse : faulty-current circuit breaker 4-pole, 30 mA
- Output high: L1, L2, L3, N and PE supplying Motor
- Output low : 24VAC, max. 1A supplying contactors
- Output DC : use for external sensors

5358.9 Set Veiligheidsnoeren

- 7 pcs. Safety connection plug, spacing 19mm
- 6 pcs. Safety connection lead, 4mm, 75cm, black with fixed isolating sleeves
- 1 pcs. Safety connection lead, 4mm, 75cm, green-yellow, with fixed isolating sleeves
- 1 pcs. Safety connection lead, 2mm, 75cm, red with fixed isolating sleeves
- 1 pcs. Safety connection lead, 2mm, 75cm, black with fixed isolating sleeves
- 8 pcs. Safety connection lead, 4mm, 100cm, grey with fixed isolating sleeves



Happé & van Rijn BV
Egelantiersgracht 213-215
1015 RJ Amsterdam
T: +31 (0)20-6254769
F: +31 (0)20-6249033
M: +31 (0)6-53957531
www.happevanrijn.com
info@happevanrijn.com

